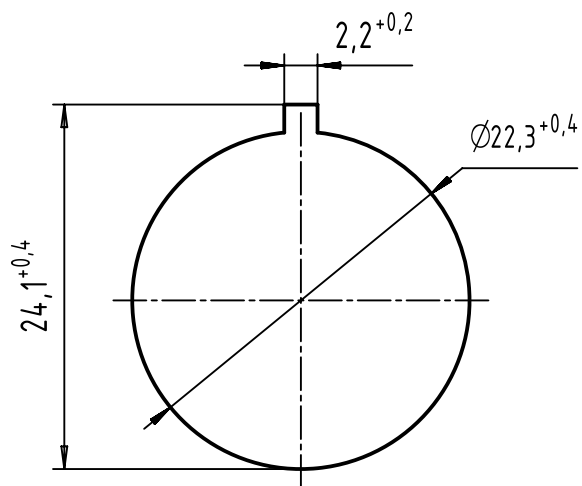
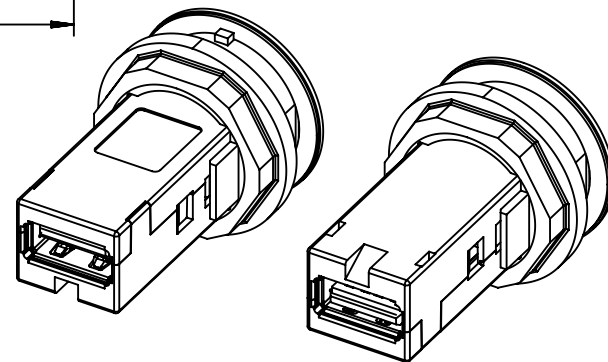


PANEL CUT DIMENSIONS



loading-plan

V Bus	1	—————	1
D-	2	—————	2
D+	3	—————	3
GND	4	—————	4
Shield		—————	Shield



	All rights reserved Department EL PD	All Dimensions in mm Original Size DIN A4		Scale 2:1	Free size tol.	Ref. Sub.
		HARTING Electronics GmbH D-32339 Espelkamp	Created by BALSAN	Inspected by PRIESTER	Standardisation HOFFMANN	Date 2019-04-25
Title har-port USB 2.0 A-A coupler white						Doc-Key / ECM-Nr. 100775567/UGD/008/C 500000150766
Type TB				Number 09454521918		Rev. C
						Page 1/1